

MITSUBISHI

**GT16**  
**USB Environmental Protection Cover**  
**User's Manual**

**GT16-UCOV**  
**GT16-50UCOV**

Thank you for purchasing the GOT1000 Series.

**Prior to use, please read both this manual and detailed manual thoroughly to fully understand the product.**

MODEL	GT16-UCOV-U
MODEL CODE	1D7M80
IB(NA)-0800433-B(1101)MEE	

GRAPHIC OPERATION TERMINAL  
**GOT1000**

●SAFETY PRECAUTIONS●

(Always read these precautions before using this equipment.)

Before using this product, please read this manual and the relevant manuals introduced in this manual carefully and pay full attention to safety to handle the product correctly.

The precautions given in this manual are concerned with this product.

In this manual, the safety precautions are ranked as "DANGER" and "CAUTION".

**⚠ DANGER** Indicates that incorrect handling may cause hazardous conditions, resulting in death or severe injury.

**⚠ CAUTION** Indicates that incorrect handling may cause hazardous conditions, resulting in medium or slight personal injury or physical damage.

Note that the ⚠ CAUTION level may lead to a serious accident according to the circumstances.

Always follow the precautions of both levels because they are important to personal safety.

Please save this manual to make it accessible when required and always forward it to the end user.

[INSTALLATION PRECAUTIONS]

⚠ CAUTION

- Make sure to securely fix the USB environmental protection cover onto the GOT using fixing screws and tighten the screws in the specified torque of 0.36 to 0.48 N·m. Loose tightening may cause the USB environmental protection cover to drop off and/or the GOT to fail or malfunction. Overtightening may damage and drop screws and/or the USB environmental protection cover.
- For closing the USB environmental protection cover, fix the cover by pushing the Δ mark on the latch firmly to comply with the protective structure.

[DISPOSAL PRECAUTIONS]

⚠ CAUTION

- Dispose of this product as industrial waste.

Manuals

The following shows manuals relevant to this product.

Detailed Manual

Manual name	Manual number (Model code)
GT16 User's Manual (Hardware) (Sold separately)	SH-080928ENG (1D7MD3)

Relevant Manuals

For relevant manuals, refer to the PDF manuals stored in the CD-ROM for the drawing software used.

© 2008 MITSUBISHI ELECTRIC CORPORATION

Packing List

After unpacking the box, check that the following products are included.

Model	Product	Quantity
GT16-UCOV	USB environmental protection cover	1
GT16-50UCOV	Fixing screw (M3 x 6)	1

1. OVERVIEW

This User's Manual describes GT16 USB environmental protection cover (hereinafter referred to as the USB environmental protection cover).

The following table shows the USB environmental protection cover models and applicable GOTs.

Product	Model	Applicable GOT	Description
USB environmental protection cover	GT16-UCOV	GT1695	For USB interface protection
		GT1685	
		GT1675	
		GT1672	
		GT1665	
	GT1662		
	GT16-50UCOV	GT1655	

The USB environmental protection cover is used to make the USB interface compliant with the protective structure IP67.

2. SPECIFICATIONS

The following shows the performance specifications of the USB environmental protection cover.

The general specifications of the USB environmental protection cover are the same as those of the GOT.

For the general specifications of the GOT, refer to GT16 User's Manual.

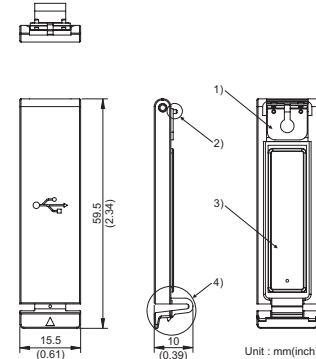
Item	Description
Protective structure*1	IP67
Weight	0.005kg

\*1 The USB interface does not comply with IP67 when the USB interface is used or the USB environmental protection cover is not correctly fixed.

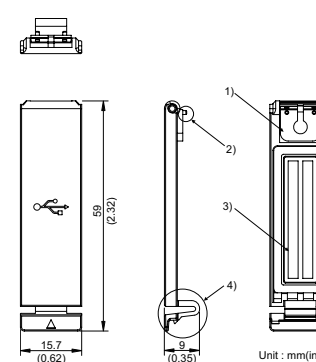
Fixing the USB environmental protection cover by pushing the Δ mark on the latch firmly complies with IP67.

3. PART NAMES AND EXTERNAL DIMENSIONS

1) GT16-UCOV



2) GT16-50UCOV

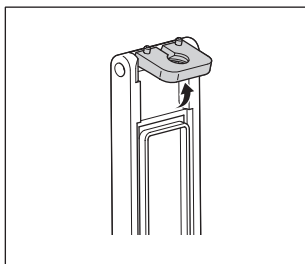


No.	Name	Description
1)	Hinge	Hinge for opening or closing the USB environmental protection cover
2)	Hinge projection	Hinge projection to be fitted in the GOT guiding hole
3)	Packing	Packing for protecting the USB interface
4)	Latch	Latch for fixing or opening the USB environmental protection cover

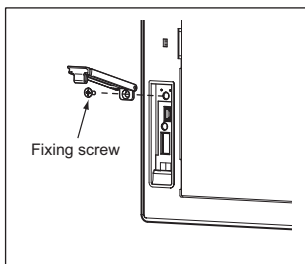
4. INSTALLATION PROCEDURE

The installation procedure provides an example of the GT16-UCOV.

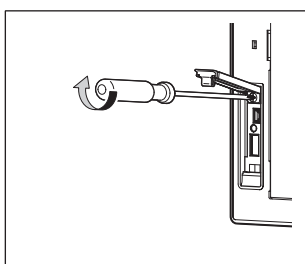
- 1) Get up the hinge of the USB environmental protection cover.



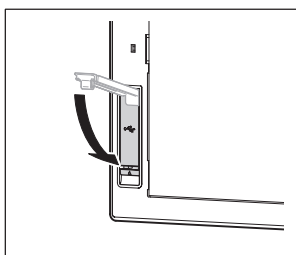
- 2) Put the provided fixing screw through the hinge hole, and then fit the screw in the cover installation hole on the GOT.



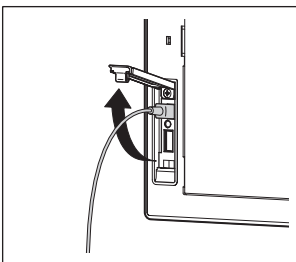
- 3) Tighten the screw with a torque of 0.36 to 0.48N·m. Fitting the hinge projections in the GOT guiding holes makes the cover installation work easier.



- 4) When the USB interface is not used, fix the cover by pushing the Δ mark on the latch firmly.



- 5) When the USB interface is used, unfix the latch to open the cover, and then connect the USB cable.



5. PRECAUTIONS FOR USE

- 1) When the USB environmental protection cover is closed, the USB interface complies with the protective structure IP67. In this case, the USB environmental protection cover must be fixed by pushing the Δ mark on the latch firmly.
- 2) The USB interface does not comply with IP67 when the latch of the USB environmental protection cover is unfixing.
- 3) The USB environmental protection cover is a consumable product. Check the cover periodically. When the cover has damage, heavy soil, and others, replace the cover.

Warranty

Mitsubishi will not be held liable for damage caused by factors found not to be the cause of Mitsubishi; machine damage or lost profits caused by faults in the Mitsubishi products; damage, secondary damage, accident compensation caused by special factors unpredictable by Mitsubishi; damages to products other than Mitsubishi products; and to other duties.

⚠ For safe use

- This product has been manufactured as a general-purpose part for general industries, and has not been designed or manufactured to be incorporated in a device or system used in purposes related to human life.
- Before using the product for special purposes such as nuclear power, electric power, aerospace, medicine or passenger movement vehicles, consult with Mitsubishi.
- This product has been manufactured under strict quality control. However, when installing the product where major accidents or losses could occur if the product fails, install appropriate backup or failsafe functions in the system.

Country/Region	Sales office/Tel
U.S.A	Mitsubishi Electric Automation Inc. 500 Corporate Woods Parkway Vernon Hills, IL 60061, U.S.A. Tel : +1-847-478-2100
Brazil	MELCO-TEC Rep. Com.e Assessoria Tecnica Ltda. Rua Correia Dias, 184, Edificio Paraiso Trade Center-8 andar Paraiso, Sao Paulo, SP Brazil Tel : +55-11-5908-8331
Germany	Mitsubishi Electric Europe B.V. German Branch Golthaer Strasse 8 D-40880 Ratingen, GERMANY Tel : +49-2102-486-0
U.K	Mitsubishi Electric Europe B.V. UK Branch Travellers Lane, Hatfield, Hertfordshire., AL10 8XB, U.K. Tel : +44-1707-276100
Italy	Mitsubishi Electric Europe B.V. Italian Branch Centro Dir. Colleoni, Pal. Perseo-Ingr.2 Via Paracelso 12, I-20041 Agrate Brianza, Milano, Italy Tel : +39-039-60531
Spain	Mitsubishi Electric Europe B.V. Spanish Branch Carretera de Rubi 76-80 E-08190 Sant Cugat del Valles, Barcelona, Spain Tel : +34-93-565-3131
France	Mitsubishi Electric Europe B.V. French Branch 25, Boulevard des Bouvets, F-92741 Nanterre Cedex, France TEL : +33-1-5568-5568
South Africa	Circuit Breaker Industries Ltd. Private Bag 2016, ZA-1600 Isando, South Africa Tel : +27-11-928-2000
Hong Kong	Mitsubishi Electric Automation (Hong Kong) Ltd. 10th Floor, Manulife Tower, 169 Electric Road, North Point, Hong Kong Tel : +852-2887-8870
China	Mitsubishi Electric Automation (China) Ltd. 4/F Zhi Fu Plaza, No.80 Xin Chang Road, Shanghai 200003, China Tel : +86-21-6120-0808
Taiwan	Setsuyo Enterprise Co., Ltd. 6F No. 105 Wu-Kung 3rd Rd, Wu-Ku Hsiang, Taipei Hsine, Taiwan Tel : +886-2-2299-2499
Korea	Mitsubishi Electric Automation Korea Co., Ltd. 1480-6, Gayang-dong, Gangseo-ku Seoul 157-200, Korea Tel : +82-2-3660-9552
Singapore	Mitsubishi Electric Asia Pte. Ltd. 307 Alexandra Road #05-01/02, Mitsubishi Electric Building, Singapore 159943 Tel : +65-6470-2460
Thailand	Mitsubishi Electric Automation (Thailand) Co., Ltd. Bang-Chan Industrial Estate No.111 Moo 4, Senithai Rd, T.Kannayao, A.Kannayao, Bangkok 10230 Thailand Tel : +65-2-517-1326
Indonesia	P.T. Autoteknindo Sumber Makmur Muara Karang Selatan, Block A/Utara No.1 Kav. No.11 Kawasan Industri Pergudangan Jakarta - Utara 14440, P.O.Box 5045 Jakarta, 11050 Indonesia Tel : +62-21-6830833
India	Messung Systems Pvt. Ltd. Electronic Sadan NO-III Unit No15, M.I.D.C Bhosari, Pune-411026, India Tel : +91-20-2712-3130
Australia	Mitsubishi Electric Australia Pty. Ltd. 348 Victoria Road, Rydalmere, N.S.W 2116, Australia Tel : +61-2-9684-7777

MITSUBISHI ELECTRIC CORPORATION  
HEAD OFFICE : TOKYO BUILDING, 2-7-3 MARUNOUCHI, CHYODA-KU, TOKYO 100-8310, JAPAN  
NAGOYA WORKS : 1-14, YADA-MINAMI 5-CHOME, HIGASHI-KU, NAGOYA, JAPAN

When exported from Japan, this manual does not require application to the Ministry of Economy, Trade and Industry for service transaction permission.

Specifications subject to change without notice.  
Printed in Japan.